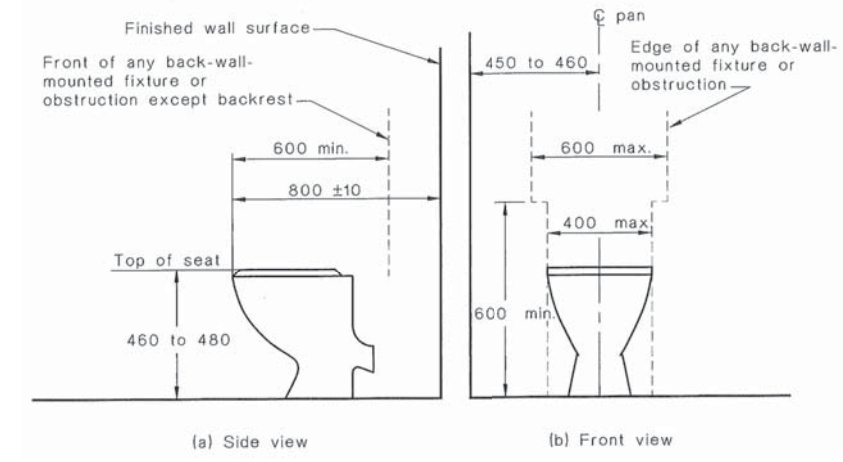
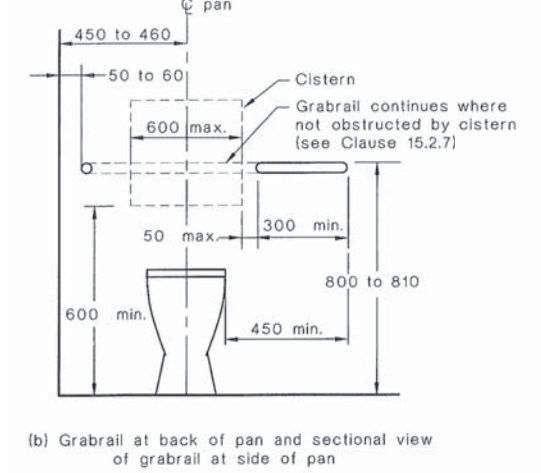
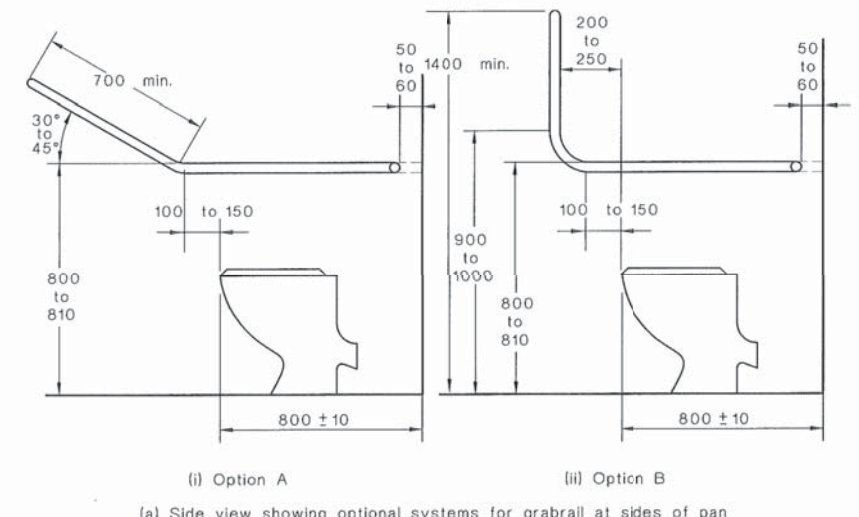
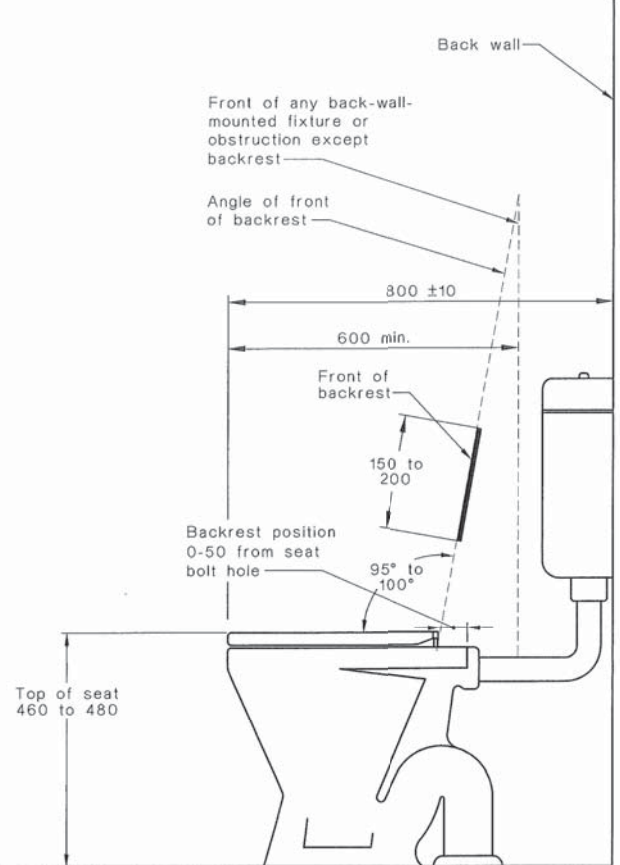
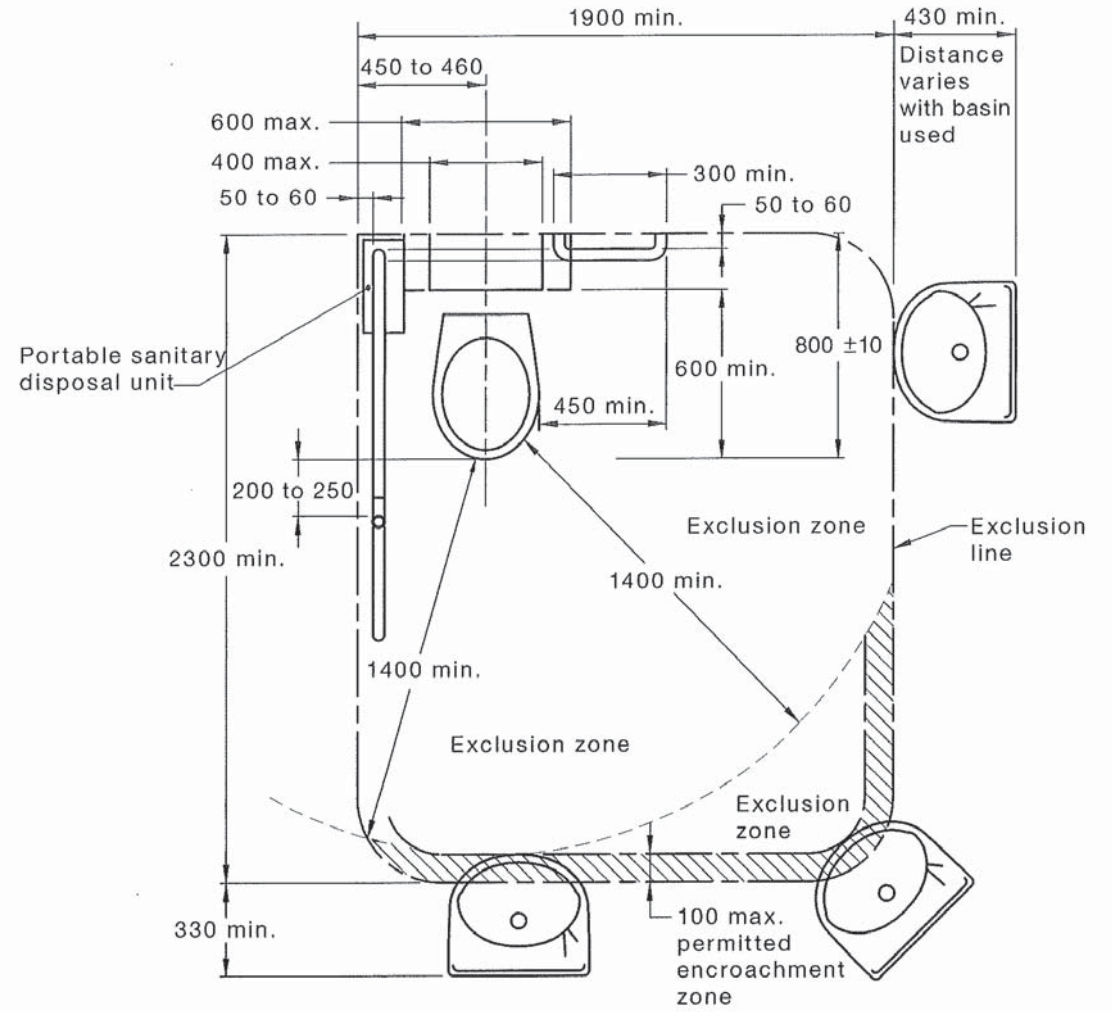
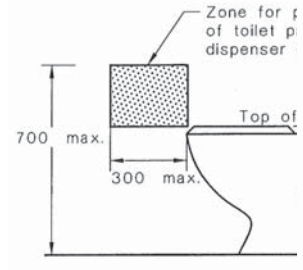
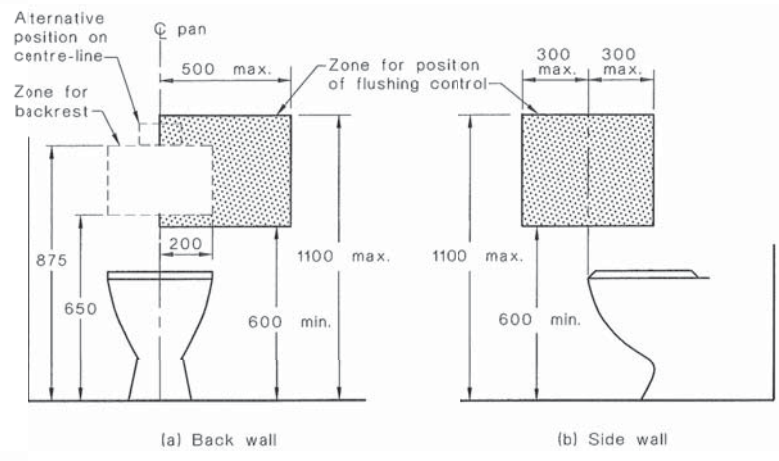
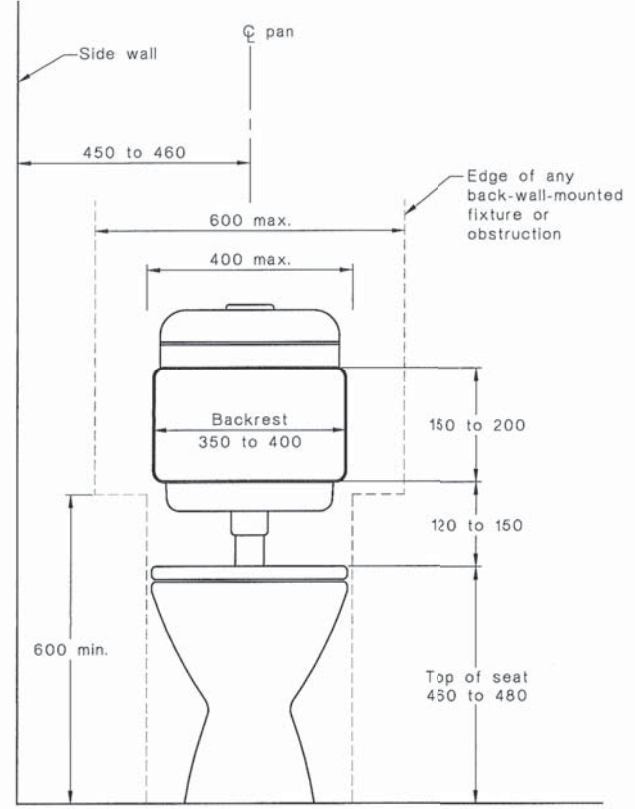


WC pan clearances, including set-out, seat height and seat width shall be as shown in Figure 38.



**16.5 Coat hook**

A coat hook shall be provided within the sanitary compartment and at a height between 1350 mm to 1500 mm from the floor.



LEGEND  
 - - - - - Circulation space line

NOTE: This circulation space may overlap any other circulation spaces specified in this Standard.

**ENVIRONMENTAL DESIGN**  
 ARCHITECTURAL DESIGN & DRAFTING  
 SOLAR PASSIVE AND ENVIRONMENTALLY SUSTAINABLE BUILDING SOLUTIONS  
 M 0423228041 P 0899643851 rolybrando@hotmail.com  
 All dimensions and levels to be checked on site. Any discrepancies in any documents to be referred to designer prior to commencement of any work on site. © This design and drawings remain the property of Roly Brando. No part may be reproduced without written consent. ©

**ROLY BRANDO**  
 B. ENV. DESIGN  
 UWA 2006

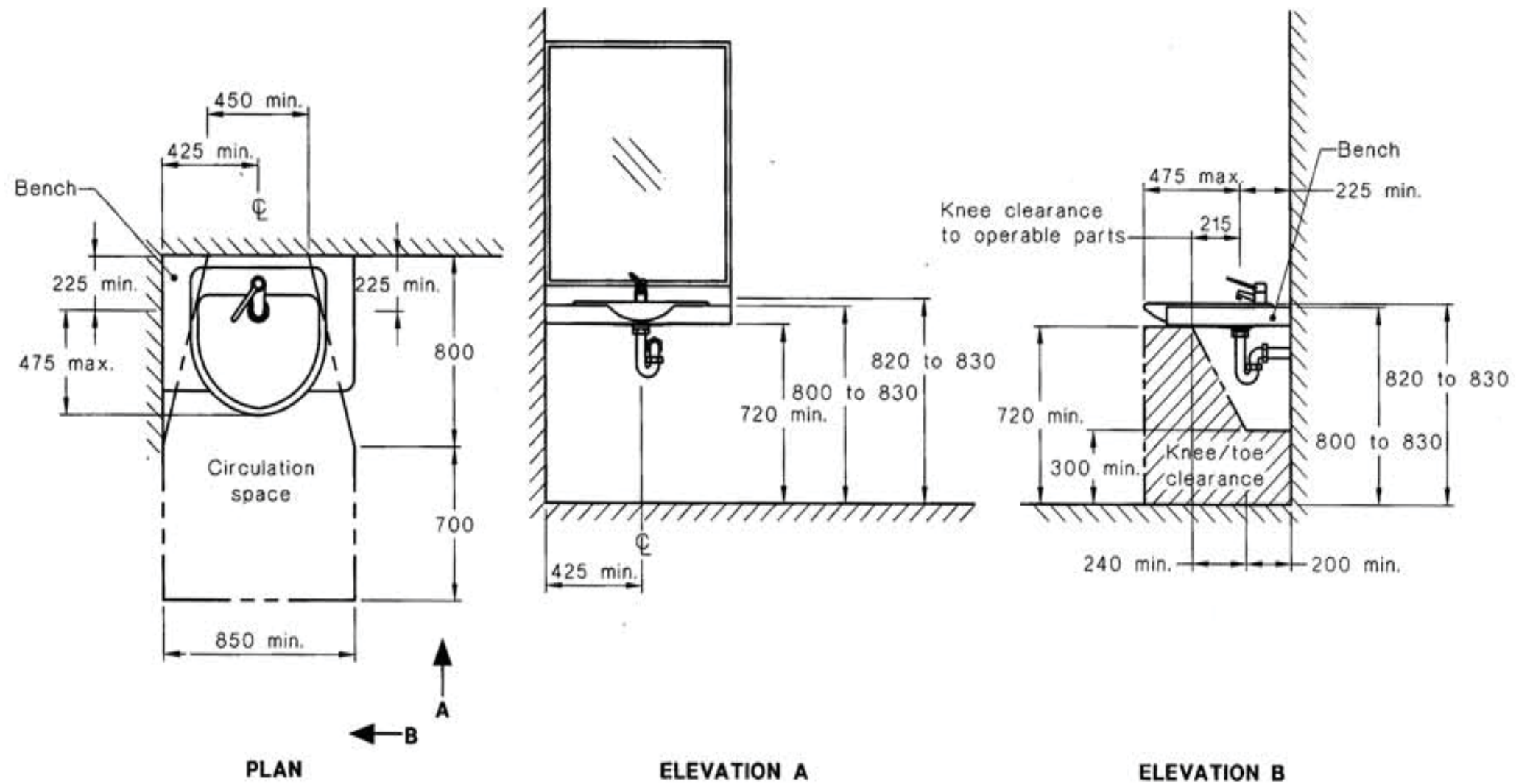
**WHEELCHAIR ACCESSIBLE INTERNALS**  
 CLIENT GENERIC  
 SITE GENERIC  
 SERIES INTERNAL ELS AS1428 ACCESSIBILITY  
 DWG DET. DIMS. AS1428 WHEELCHAIR WC

**IE01.1**  
 INTERNAL ELEVATIONS  
 SOLE OCCUPANCY UNIT  
 REV: 130420

1. Use figured dimensions only - do not scale.
2. Comply with the authorised requirements of statutory and local authorities.
3. All dimensions and levels are to be checked on site. Any discrepancies in any documents to be referred to designer prior to commencement of any work on site.
4. All work to be carried out in accordance with the latest Australian Standards including amendments.
5. All structural timber to comply with AS1684 and AS1720, latest relevant standard.

NTS A3  
 APR 2020

1  
 4



79

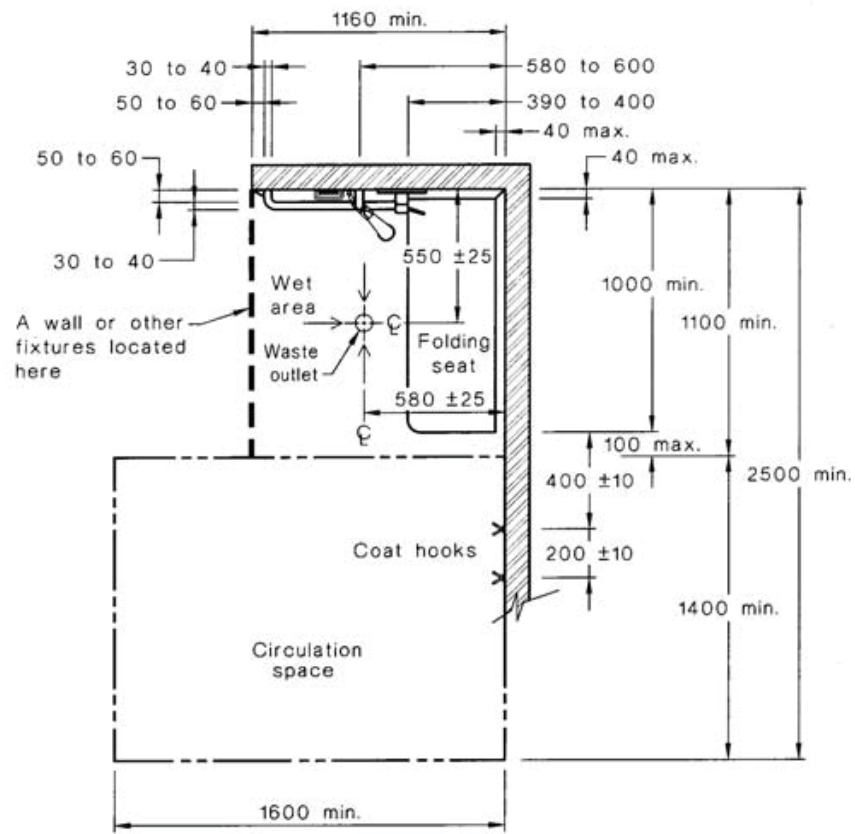
AS 1428.1-2009

FIGURE 45 WASHBASIN FOR ACCESSIBLE SOLE-OCCUPANCY UNIT

**ENVIRONMENTAL DESIGN** ROLY BRANDO  
 ● ARCHITECTURAL DESIGN & DRAFTING  
 ● SOLAR PASSIVE AND ENVIRONMENTALLY SUSTAINABLE BUILDING SOLUTIONS  
 M 0423228041 P 0899643851 rolybrando@hotmail.com  
 All dimensions and levels to be checked on site. Any discrepancies in any documents to be referred to designer prior to commencement of any work on site. © This design and drawings remain the property of Roly Brando. No part may be reproduced without written consent. ©

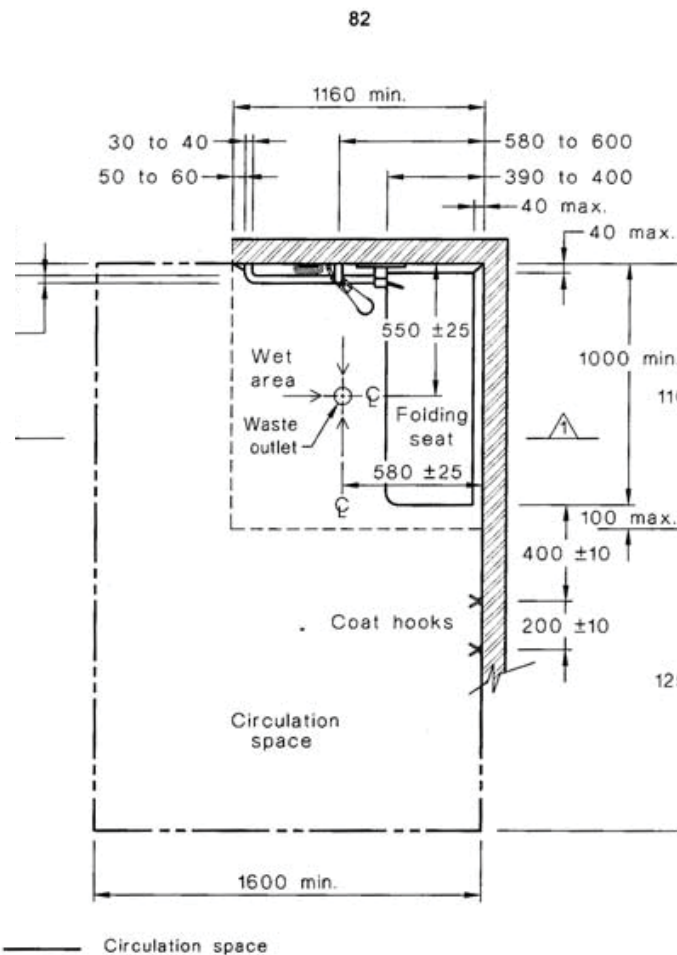
<b>WHEELCHAIR ACCESSIBLE INTERNALS</b>		1. Use figured dimensions only - do not scale. 2. Comply with the authorised requirements of statutory and local authorities. 3. All dimensions and levels are to be checked on site. Any discrepancies in any documents to be referred to designer prior to commencement of any work on site. 4. All work to be carried out in accordance with the latest Australian Standards including amendments. 5. All structural timber to comply with AS1684 and AS1720, latest relevant standard.	NTS A3 APR 2020	2 4
CLIENT	GENERIC			
SITE	GENERIC			
SERIES	INTERNAL ELS AS1428 ACCESSIBILITY			
DWG	DET. DIMS. AS1428 WHEELCHAIR WC			

**IE02.1**  
 INTERNAL ELEVATIONS  
 SOLE OCCUPANCY UNIT  
 REV: 130420



(b) Shower recess with a third side provided by a wall or other fixtures

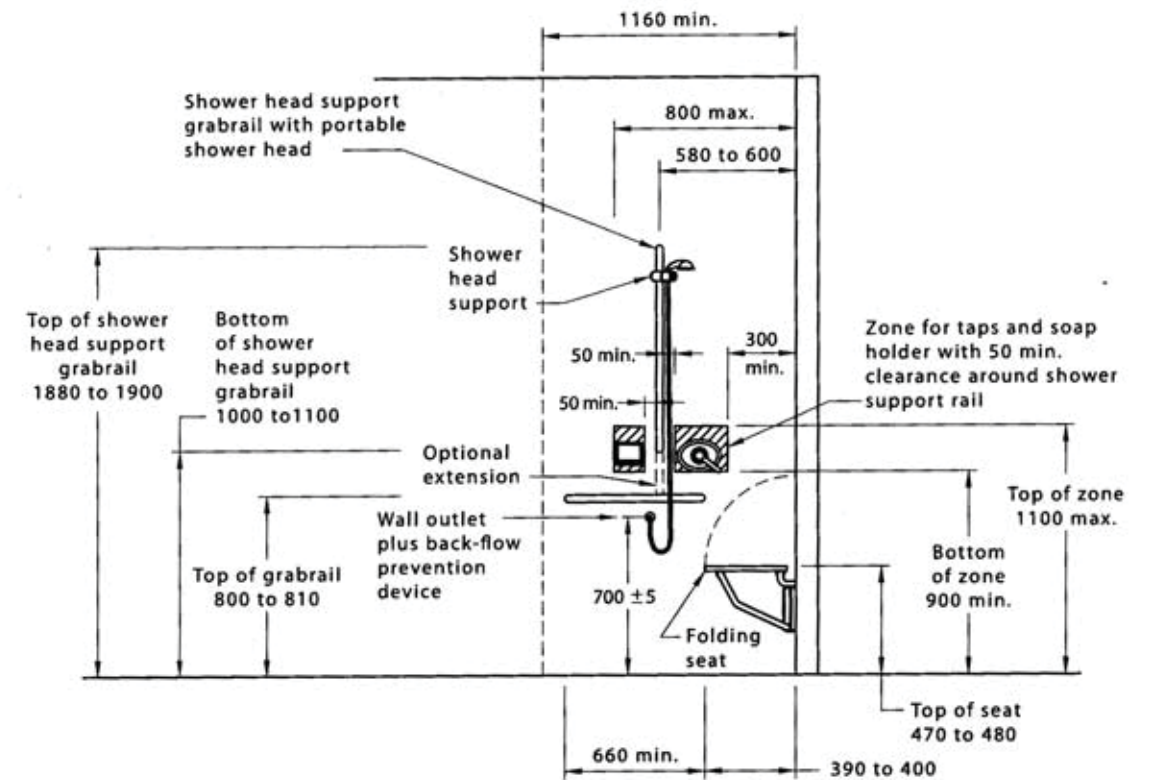
FIGURE 47 (in part) SHOWER RECESS AND CIRCULATION SPACE—PLAN



(a) Shower recess with two walls

DIMENSIONS IN MILLIMETRES

FIGURE 47 (in part) SHOWER RECESS AND CIRCULATION SPACE



DIMENSIONS IN MILLIMETRES

FIGURE 48 SHOWER RECESS FITTINGS—ELEVATION

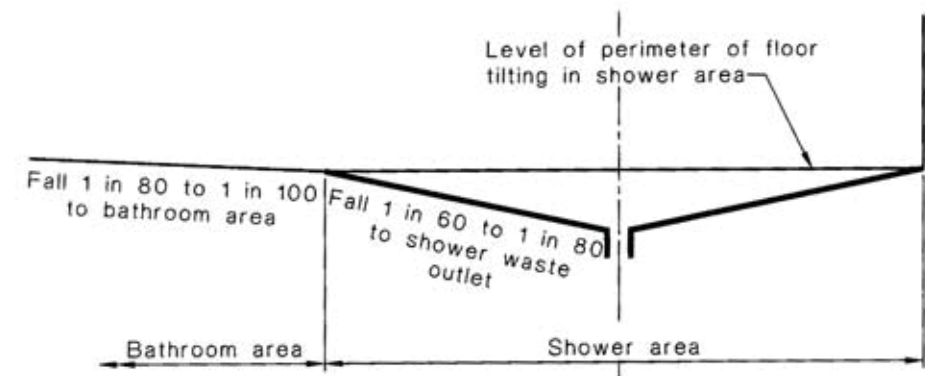


FIGURE 49 GRADES FOR BATHROOM AND SHOWER FLOORS

### 15.5.3 Opening shower screens

The means of screening a shower recess shall be either by a curtain or a door system that maintains the required circulation space of 1600 mm × 2350 mm.

**ENVIRONMENTAL DESIGN**  
 ● ARCHITECTURAL DESIGN & DRAFTING  
 ● SOLAR PASSIVE AND ENVIRONMENTALLY SUSTAINABLE BUILDING SOLUTIONS  
 M 0423228041 P 0899643851 rolybrando@hotmail.com  
 All dimensions and levels to be checked on site. Any discrepancies in any documents to be referred to designer prior to commencement of any work on site. © This design and drawings remain the property of Roly Brando. No part may be reproduced without written consent. ©

**ROLY BRANDO**  
 B. ENV. DESIGN  
 UWA 2006

**WHEELCHAIR ACCESSIBLE INTERNALS**  
 CLIENT GENERIC  
 SITE GENERIC  
 SERIES INTERNAL ELS AS1428 ACCESSIBILITY  
 DWG DET. DIMS. AS1428 WHEELCHAIR WC

**IE03.1**  
 INTERNAL ELEVATIONS  
 SOLE OCCUPANCY UNIT  
 REV: 130420

1. Use figured dimensions only - do not scale.
2. Comply with the authorised requirements of statutory and local authorities.
3. All dimensions and levels are to be checked on site. Any discrepancies in any documents to be referred to designer prior to commencement of any work on site.
4. All work to be carried out in accordance with the latest Australian Standards including amendments.
5. All structural timber to comply with AS1684 and AS1720, latest relevant standard.

NTS A3  
 APR 2020

3  
 4

**8 SIGNAGE**

**8.1 Form of signs**

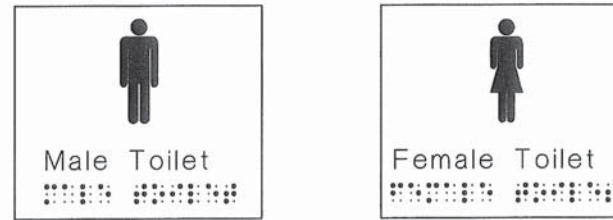
The BCA contains requirements for Braille and tactile signage in Specification D3.6. Where signs are required, the form of signs shall be as follows:

- (a) Where required, raised tactile and/or Braille signage shall be provided as follows:
  - (i) Sanitary facilities shall be identified with the following:
    - (A) Raised and visual versions of the international symbol of access.
    - (B) Raised and visual versions of the male and female symbols.
    - (C) Raised text that shall be in title case (e.g. Male Toilet).  
NOTE: Title case has the first letter of each word capitalized and the rest are lower case. Short articles, prepositions and conjunctions are not capitalized.
    - (D) Braille that fully describes the visual information displayed by symbols and raised text.  
NOTES:
      - 1 For example, a sign for a male accessible toilet will include the words Male Toilet as visual, raised text and Braille as well as the raised visual male symbol.
      - 2 An example of a sign is given in Figure 9(a).
  - (ii) Signs for unisex accessible facilities shall be provided with the letters LH or RH to indicate a left-hand or right-hand side transfer onto the WC pan. The minimum font size shall be 20 mm sans serif.  
NOTES:
    - 1 An example of right-hand side (RH) transfer is shown on Figure 9(a).
    - 2 Helvetica and Arial are sans serif fonts.
  - (iii) Entry doors to airlocks serving areas containing sanitary facilities shall be identified by the use of raised text and Braille, together with raised and visual symbols identifying each sanitary facility within.

**15.2.9 WC doors**

WC doors may be either hinged or sliding. WC doors shall comply with the following:

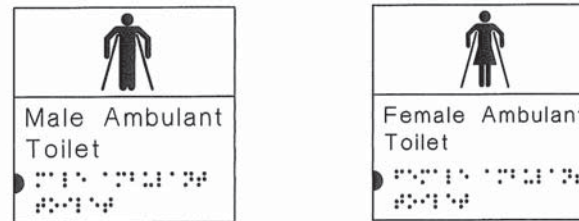
- (a) Outward-opening doors shall have a mechanism that holds the door in a closed position without the use of a latch.
- (b) Doors shall be provided with an in-use indicator and a bolt or catch. Where a snib catch is used, the snib handle shall have a minimum length of 45 mm from the centre of the spindle. In an emergency, the latch mechanism shall be openable from the outside.
- (c) The force required to operate the door shall be in accordance with Clause 13.5.2(e).
- (d) Door handles and hardware shall be in accordance with Clause 13.5.



(b) Example of identification signs for male and female toilets

- NOTES:
- 1 Visual message: The signs display male toilet and female toilet.
  - 2 Minimum required raised tactile message: 'Male Toilet', 'Female Toilet' in raised tactile print and symbols.
  - 3 Minimum required Braille message: 'Male Toilet', 'Female Toilet'.

FIGURE 9 (in part) MODULAR FORM OF SIGNS



(c) Example of identification signs for ambulant accessible male and female toilets

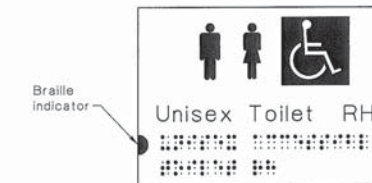
- NOTES:
- 1 Visual message: The signs display ambulant accessible male and female toilets.
  - 2 Minimum required raised tactile message: 'Ambulant Male Toilet', 'Ambulant Female Toilet' in raised tactile print and symbols.
  - 3 Minimum required Braille message: 'Male Ambulant Toilet', 'Female Ambulant Toilet'.

FIGURE 9 (in part) MODULAR FORM OF SIGNS

- NOTES:
- 1 One symbol for each facility need only be used.
  - 2 Where the facilities for male and female are separate, a dividing line should be placed between each symbol.
- (b) Elements of a sign shall be set out singularly, or in a modular form.  
NOTE: Examples of modular form are shown in Figures 9(a), 9(d), 9(e) and 9(f).
  - (c) Elements of a sign shall be arranged horizontally or vertically and shall include raised text and Braille, together with raised and visual symbols. Where words are used, they shall be displayed horizontally.  
NOTE: Other symbols may be used in association with the text.
  - (d) Facilities shall be identified by the use of raised text, Braille, and symbols if required. The identification shall be between 1200 mm and 1600 mm above finished floor levels.
  - (e) A sanitary compartment for people with ambulant disabilities shall be identified in accordance with Figure 9(c).

Braille shall be Unified English Braille (UEB), Grade 1, uncontracted, and shall be in accordance with the technical specifications set out by the Australian Braille Authority (ABA). Braille numerals shall be preceded by a Braille numerical sign.

The International Symbol of Access and the International Symbol for Deafness (see Clause 8.2.2) may be used without raised explanatory text such as 'accessible' or 'hearing loop installed'.



(a) Example of identification sign for a unisex accessible toilet with a right-hand (RH) transfer

- NOTES:
- 1 The Braille indicator is only used where there are multiple lines of text. It indicates the location of the first line of Braille.
  - 2 Visual message: The sign displays a unisex accessible toilet with right-hand (RH) transfer.
  - 3 Minimum required raised tactile message: 'Unisex Toilet RH' in raised tactile print and symbols.
  - 4 Minimum required Braille message: 'Unisex accessible toilet RH' for right-hand transfer.

**ENVIRONMENTAL DESIGN**  
 ROLY BRANDO  
 ARCHITECTURAL DESIGN & DRAFTING  
 SOLAR PASSIVE AND ENVIRONMENTALLY SUSTAINABLE BUILDING SOLUTIONS  
 M 0423228041 P 0899643851 rolybrando@hotmail.com  
 All dimensions and levels to be checked on site. Any discrepancies in any documents to be referred to designer prior to commencement of any work on site. © This design and drawings remain the property of Roly Brando. No part may be reproduced without written consent. ©

**WHEELCHAIR ACCESSIBLE INTERNALS**  
 CLIENT GENERIC  
 SITE GENERIC  
 SERIES INTERNAL ELS AS1428 ACCESSIBILITY  
 DWG DET. DIMS. AS1428 WHEELCHAIR WC

**IE04.1**  
 INTERNAL ELEVATIONS  
 SOLE OCCUPANCY UNIT  
 REV: 180320

1. Use figured dimensions only - do not scale.
2. Comply with the authorised requirements of statutory and local authorities.
3. All dimensions and levels are to be checked on site. Any discrepancies in any documents to be referred to designer prior to commencement of any work on site.
4. All work to be carried out in accordance with the latest Australian Standards including amendments.
5. All structural timber to comply with AS1684 and AS1720, latest relevant standard.

NTS A3  
 APR 2020

4  
 4